

To really appreciate architecture,
you may even need to commit
a murder.



The High Window 1987

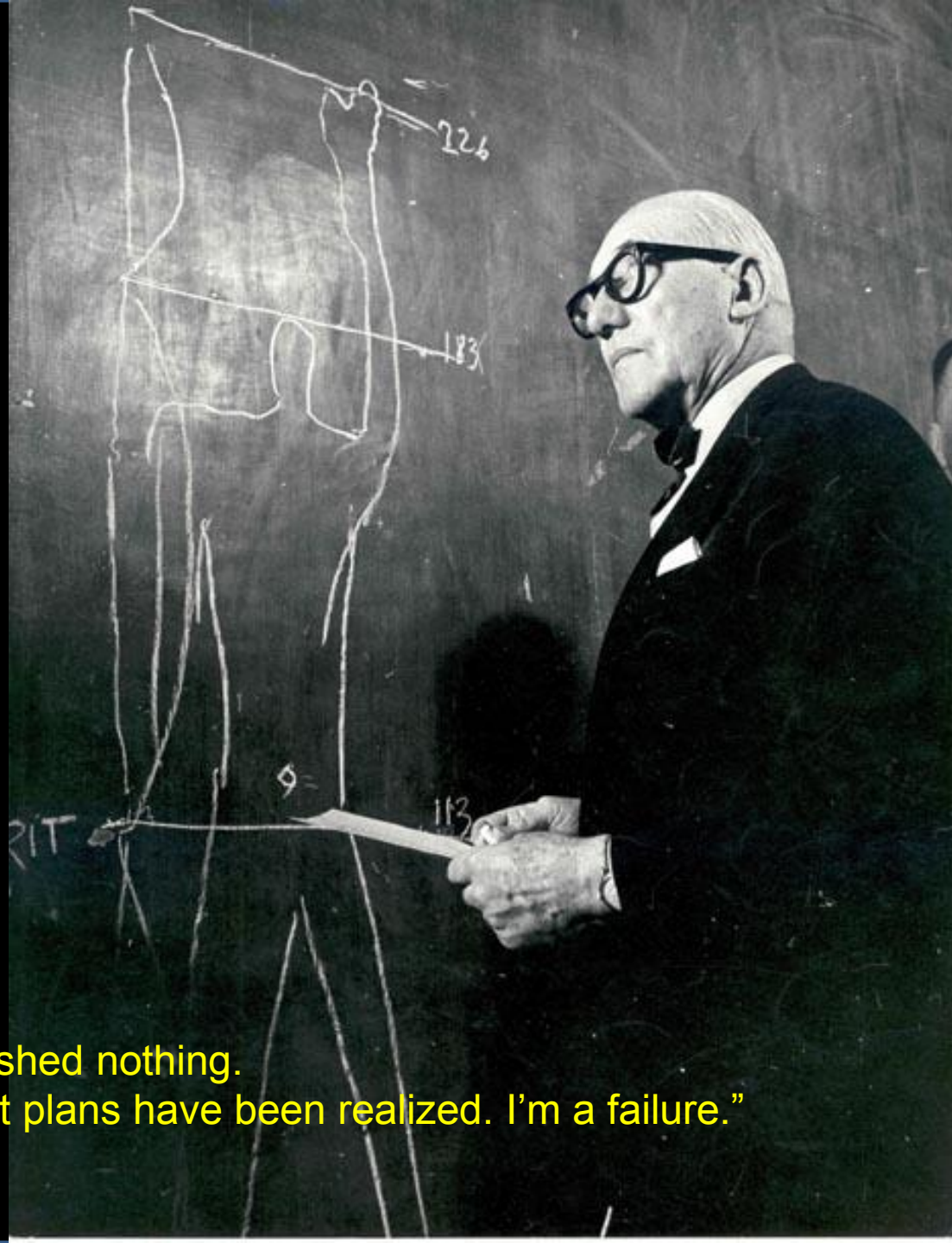
Architecture is defined by the actions it witnesses
as much as by the enclosure of its walls. Murder
in the Street differs from Murder in the Cathedral
in the same way as love in the street differs from
the Street of Love. Radically.



“I had come to the new world to escape the failure of my youth. America has made possible what Europe proved impossible.” Mies van der Rohe



Bauhaus was founded by German Architect, Walter Gropius 1919
Bauhaus was a school and combined elements of arts and design



“I have accomplished nothing.
None of my great plans have been realized. I’m a failure.”
Le Corbusier



“Less is more”
Mies van der Rohe



later on “Less is a bore”
Robert Venturi,



The Palace of Soviets by Boris Lofan

А В О Р Е Ц С О В Е Т О В

С . С . С . Р .



A building at the Lotus Riverside complex in Shanghai's Minhang district collapsed, nearly intact

TIME

THE WEEKLY NEWS MAGAZINE



ARCHITECT
MINORU YAMASAKI



Pruitt-Igoe was a large urban housing project, St. Louis, Missouri, USA by Minoru Yamasaki, 1956



Pruitt-Igoe was a large urban housing project, St. Louis, Missouri, USA by Minoru Yamasaki, 1956



World Trade Center, The Twin Towers, Lower Manhattan, New York City, USA by Minoru Yamasaki, 1973



BEST STORES by SITE Architects



BEST STORES by SITE Architects



AERIAL VIEW OF PLAN OF EDESA UNIVERSITY
PLAN FOR GREATER BAGHDAD
DEDICATED TO SUMERIA, 1916, LARKIN - BABYLON
FRANK LLOYD WRIGHT ARCHITECT

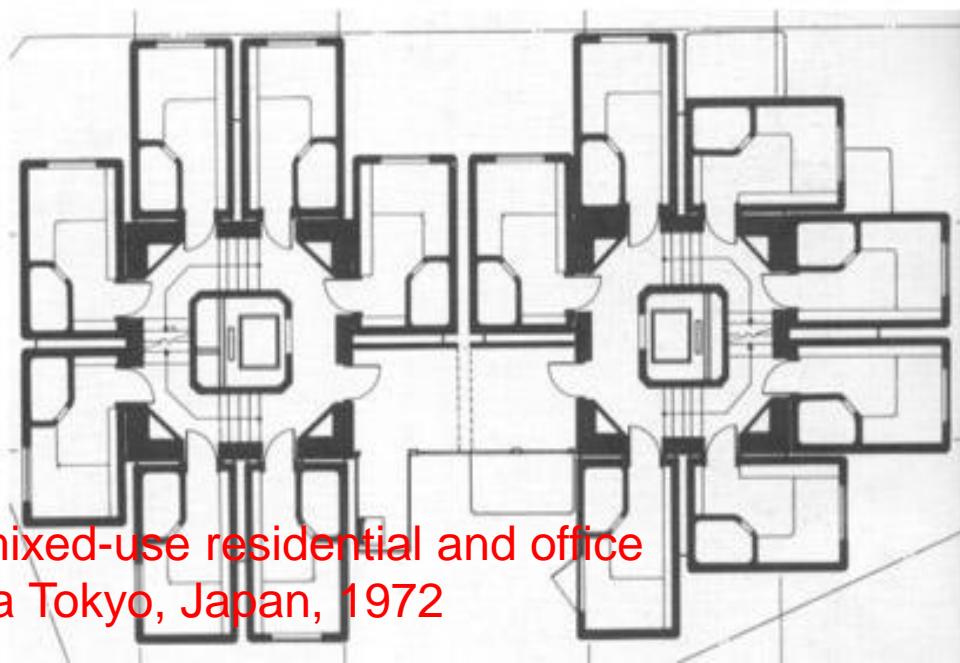
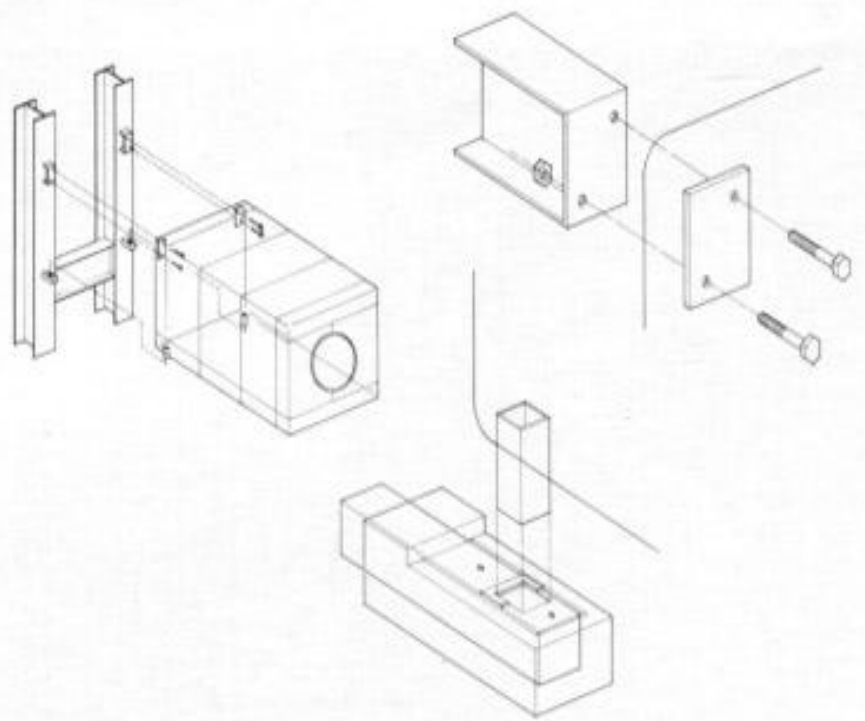
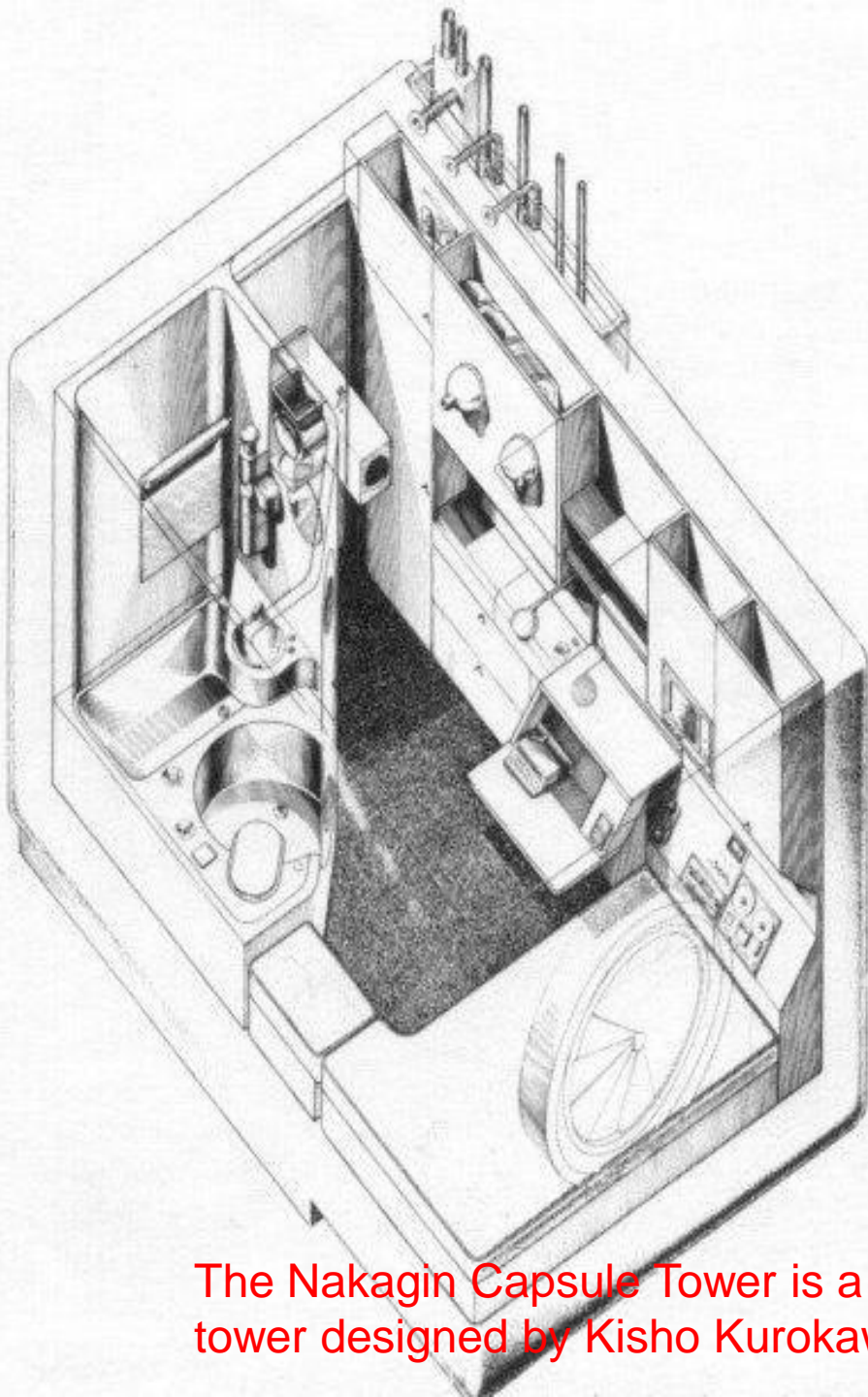
The Plan for Greater Baghdad was a project done by Frank Lloyd Wright



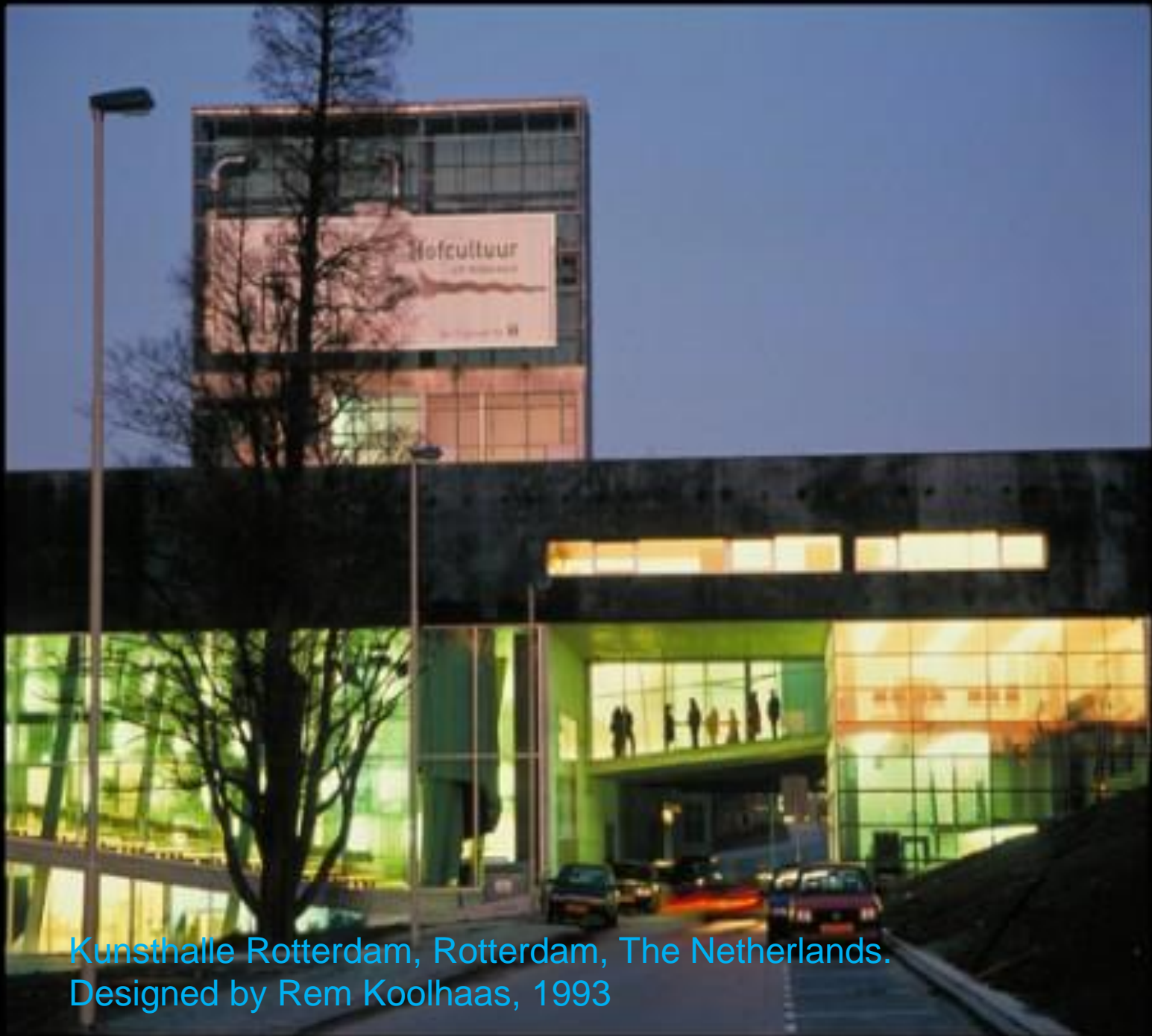
The Louvre Pyramid by I. M. Pei, 1989



The Nakagin Capsule Tower is a mixed-use residential and office tower designed by Kisho Kurokawa Tokyo, Japan, 1972



The Nakagin Capsule Tower is a mixed-use residential and office tower designed by Kisho Kurokawa Tokyo, Japan, 1972



Kunsthalle Rotterdam, Rotterdam, The Netherlands.
Designed by Rem Koolhaas, 1993



Kunsthalle Rotterdam, Rotterdam, The Netherlands.
Designed by Rem Koolhaas, 1993



Arts Palace, Cairo, Egypt.
Designed by Abdelhalim Ibrahim